

ZweiL® ZweiL SERIES INSTRUCTION MANUAL

PUSH LATCH ZL-2901

Thank you for using our product. Before installation, please read this manual thoroughly to ensure correct installation. Please keep this manual at hand for future reference.

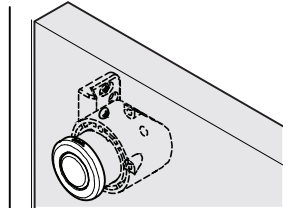
FOR YOUR SAFETY AND CORRECT INSTALLATION

Meaning of symbols



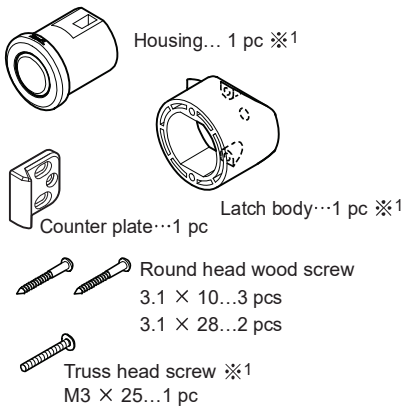
⚠ Caution If not followed, injury or damage may result.

- ⚠ This product is for indoor use only. Do not use outside or anywhere where it will be exposed to water.
- ⊘ Follow the specified dimensions, specifications, and alignment of the cabinet. Warping, tilting or twisting of the cabinet or door may cause failure.
- ⊘ For the prevention of breakage or any other further damage, please do not push the knob in before closing door.
- ⚠ After repeated usage, the balance of door will weaken, and the item will not work properly. Please readjust the position of either product or door.

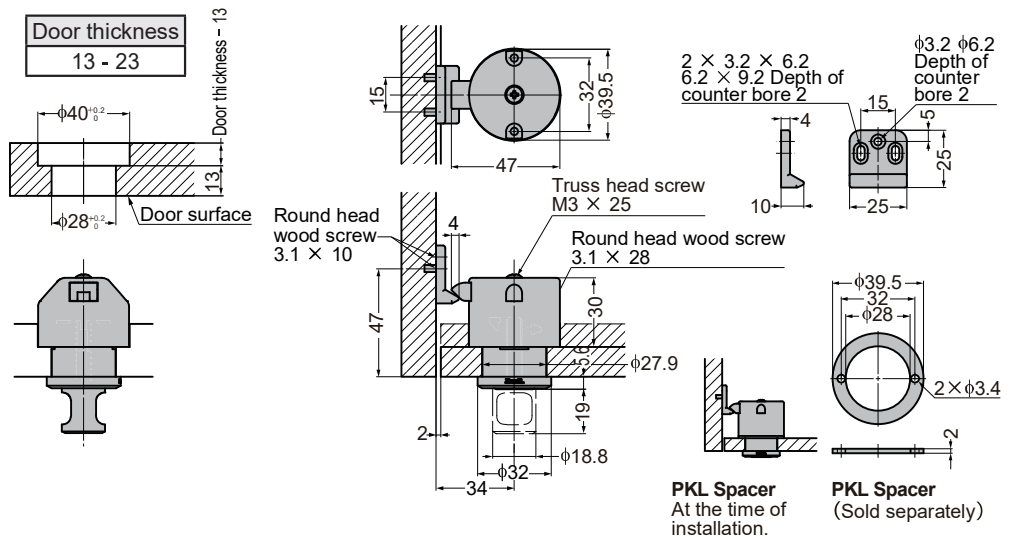


COMPONENT PARTS

※1 Packed in the assembled state

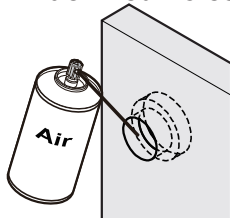


DIMENSIONS

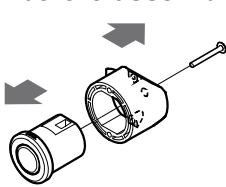


INSTALLATION

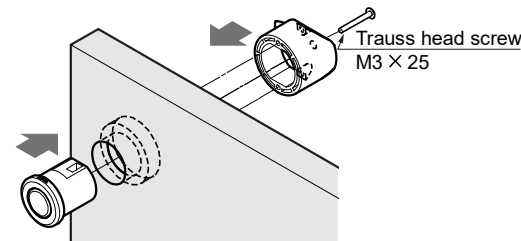
1 Cleaning of machined holes



2 Preparation before assembly

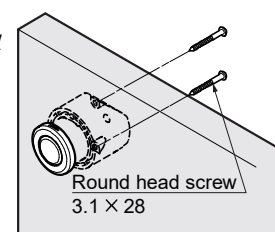


3 Mounting parts 1

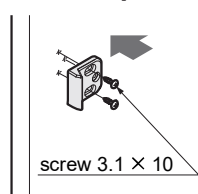


Recommendable fastening torque: 4 kgf•cm

4 Mounting parts 2



5 Mounting the counter plate



6 Adjusting counter plate



Close the door and check the latching action and adjust if needed.

OPERATION CHECK

- When the door is closed, the latch is activated and the door is temporarily held.
- Push in the knob to lock the latch.
- To unlock the latch, push in the knob again.

⚠ When closing the door make sure that the knob is protruding from the housing. The latch may be damaged if you close the door with the knob pushed inside of the housing.

